

Custom-Line Insulated Storage Tanks

TJV AND TJH

Storage Capacity
500 Litres to 3700 Litres

**Available with Glass,
Cement & Epoxy Lining**



Large volume tanks are designed for storing potable water. Fitting locations of these custom-line tanks match the needs of normal installation

FEATURES

SIZES FROM 530 Litres to 3,790 Litres

ASME code steel tanks are constructed of code material. For extremely severe or special applications, ASME code tanks are available in stainless steel or silicon bronze. Larger sizes, consult factory representative.

ASME CODE CONSTRUCTION

All tanks are constructed to the requirements of the ASME. ASME code tanks are available in 7 bar, 8.6 bar, 10.3 bar and 11 bar working pressures (8.6 bar working pressure - standard). Consult factory for ASME code tanks with greater or lesser working pressures, with special configurations or materials.

INSULATION

Entire tank is surrounded with high density fiber glass insulation to reduce costly heat loss; non-sagging and vermin-proof. To meet ASHRAE 90.1b-1992 standard depth of insulation cavity requires use of remote bulb-type tank temperature control and thermometer.

CABINET

Heavy gauge steel with high quality powder coat paint provides additional insulating qualities for greater energy savings.

LININGS AND COATINGS

Each lining and coating has particular capabilities and limitations. Please consult the factory for recommendations on the uses of linings for specific applications. Thorough investigation on the service life of steel tanks with protective coatings or linings has led to the recommendations of the following linings:

- **Glass-lined** These are normally stocked tanks for water storage up to 82°C, with glass lining to prevent corrosion and addition of rust to water. The glass lining was developed over many years of ceramic research for a wide variety of conditions.
- **Cement** A special formulation of cement provides excellent corrosion protection. Available on 757 Litres and larger sizes. A manhole or hand hole is included for application of cement lining.
- **Epoxy** The application of specially formulated epoxy makes this lining suitable for cold or hot water storage. A manhole or handhole is included for application of epoxy lining. Available on 757 Litres and larger sizes.

CATHODIC PROTECTION

Glass-lined, cement and epoxy tanks are furnished with anodes designed for maximum protection.

ACCESSORIES

Tanks will be supplied with the fittings located as indicated on the drawings unless specified otherwise. A manhole or handhole is included on cement or epoxy tanks. A manhole or handhole is optional on glass-lined tanks.

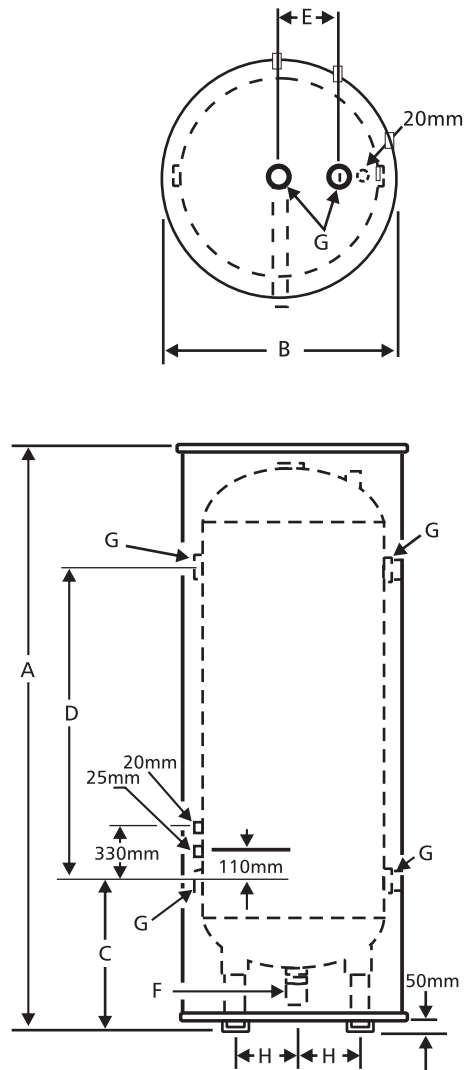


ASME

CRN



(OPTIONAL)



TJV-140 THRU TJV-1000
FIGURE 1

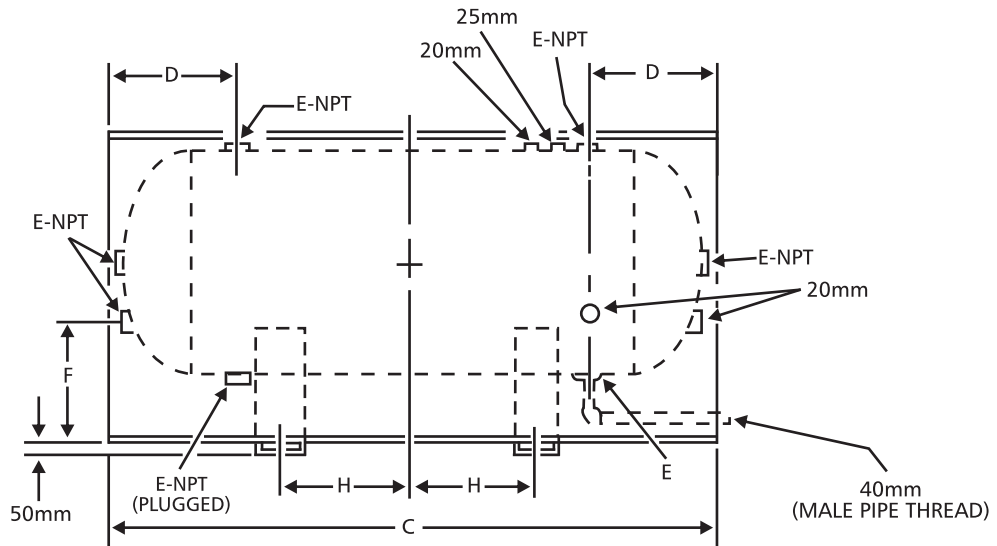
NOTE: Inspection openings, i.e., handholes and manholes, are optional and are to be included with glass lined tanks only when specified. Tanks so equipped are f.o.b. Seattle.

Other tanks to 1676 mm diameter and 13,248 Litres are available on special order.

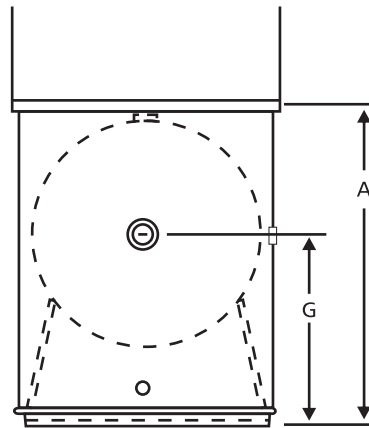
All openings Female Pipe Thread except as noted.

"F" opening Male Pipe Thread.

Model and Gallon Capacity	Capacity in Litres	A mm	B mm	C mm	D mm	E mm	F mm	G mm	H mm
TJV-140	530	2,210	762	500	1,346	203	38	64	8
TJV-200	757	2,108	914	559	1,143	254	38	64	197
TJV-250	947	2,362	914	584	1,473	254	38	64	197
TJV-350	1,325	2,540	1,067	597	1,448	356	38	64	241
TJV-400	1,514	2,667	1,067	597	1,626	356	38	64	241
TJVT-500	1,893	2,540	1,219	686	1,321	406	38	89	8
TJV-500	1,893	2,134	1,372	705	845	457	38	76	324
TJV-750	2,840	2,946	1,372	705	1,664	457	38	76	324
TJV-1000	3,786	3,810	1,372	705	2,477	457	38	76	324



TJH-200 to TJH-1000
FIGURE 2



NOTE: Inspection openings, i.e., handholes and manholes, are optional and are to be included with glass lined tanks only when specified. Tanks so equipped are f.o.b. Seattle.

Other tanks to 1676 mm diameter and 13,248 Litres are available on special order.

All openings Female Pipe Thread except as noted.

Model and Gallon Capacity	Capacity in Litres	A mm	B mm	C mm	D mm	E mm	F mm	G mm	H mm
TJH-200	757	1,041	914	1,956	406	64	279	584	406
TJH-350	1,325	1,194	1,067	2,362	445	64	254	660	572
TJH-400	1,514	1,194	1,067	2,515	445	64	254	660	660
TJHT-500	1,893	1,346	1,219	2,388	533	76	279	737	495
TJH-500	1,893	1,499	1,372	2,007	578	76	305	813	279
TJH-750	2,840	1,499	1,372	2,819	578	76	305	813	686
TJH-1000	3,786	1,499	1,372	3,632	578	76	279	813	1,092

OPTIONAL

- Handhole 280mm x 380mm manholes
- Additional openings
- Heating coils

CAUTION All openings are shipped unplugged and unused. Openings must be plugged at time of installation except as noted.

For COPPER TUBE TANK HEATERS refer to hi-draw storage tank and copper tube tank heater catalog sheet. Single & U.L. approved double wall "U" tube heating coils available. Add "ES" suffix to model number for single wall coils and 'ED' for double wall coils.

LIMITED WARRANTY OUTLINES

GLASS-LINED, CEMENT, EPOXY: If the tank should leak any time during the first five years, under the terms of the warranty, A. O. Smith will repair or replace the tank; installation, labor and handling extra.

BLACK STEEL: If the tank should leak on installation, under the terms of the warranty, A. O. Smith will repair or replace the tank; installation, labor and handling extra.

SUGGESTED SPECIFICATION

Jacketed insulated ASME storage tank shall be A. O. Smith model _____ Capacity to be _____ litres with enclosed insulation of sufficient thickness to meet requirements of ASHRAE 90.1b-1992 standard. Tank(s) shall be constructed and stamped according to ASME specifications for _____ bar working pressure. Optional (280mm x 380mm manhole, 100mm x 150mm handhole, or [2] 50mm threaded) inspection opening(s) shall be supplied, if required. The tank to be constructed of carbon steel and shall be lined with _____ (glass, epoxy or cement). Tanks shall be equipped with the number and size of magnesium anode rod(s) sufficient to provide adequate protection for the tank lining. Tank(s) shall be _____ (vertical or horizontal design).

SAMPLE SPECIFICATION FOR TANK HEATERS

Tank heaters shall be Model No. _____ 20mm OD 20 gauge copper "U" tubes. Heater to have _____ square feet of heating surface to heat _____ litres per hour from _____ deg °C to _____ deg °C with heating media of _____ bar steam (or _____ deg °C boiler water). The element shall be constructed so that the entire section can be removed from the tank for cleaning and inspection.

A. O. Smith India Water Heating Private Limited

No. 3, 6th Main Road, 4th Block, Jayanagar, Bengaluru - 560 011.
T: +91.80.4255.6000 ■ F: +91.80.4255.6025 ■ Toll Free: 1.800.103.2468
■ www.aosmithindia.com

